

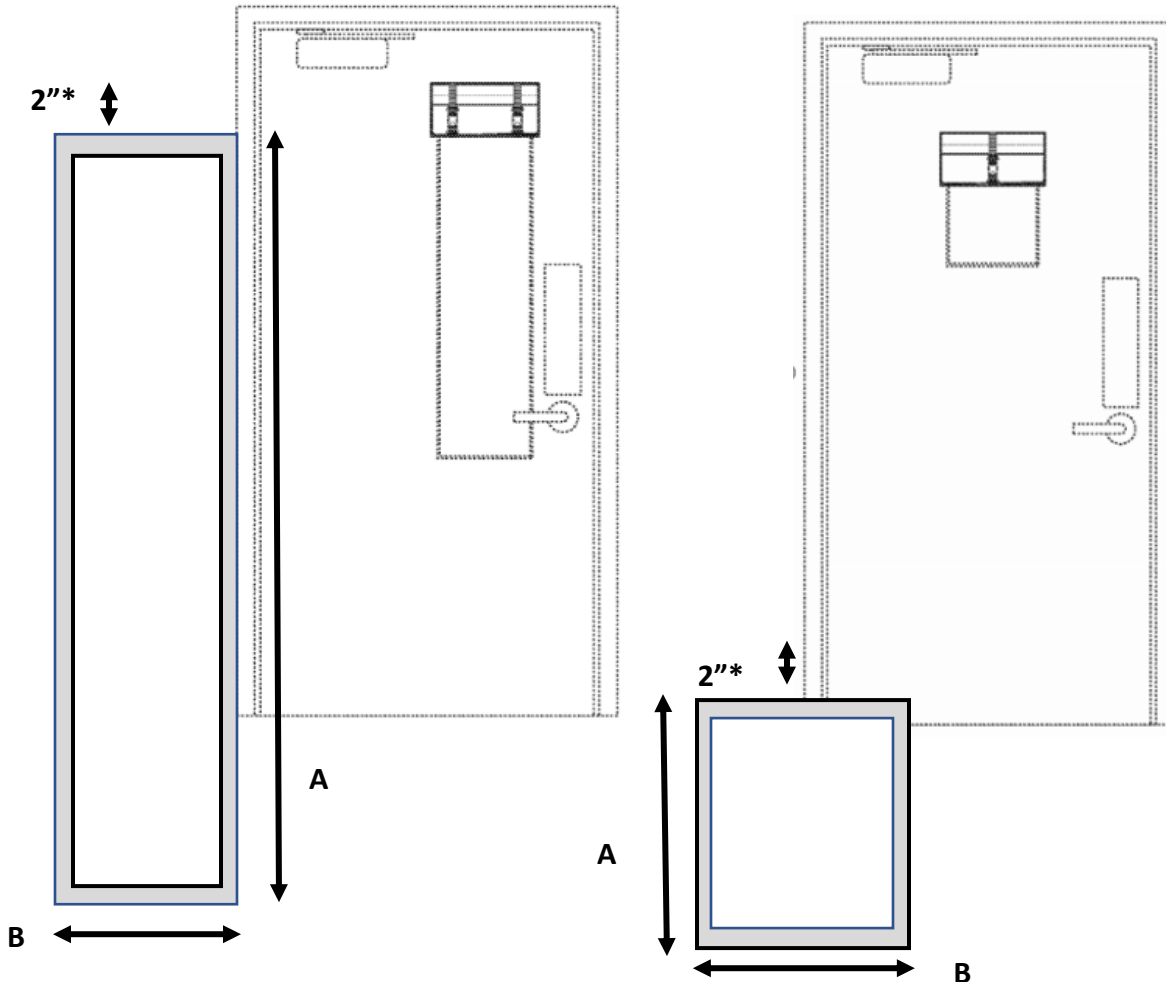


LOCKDOWN DOOR SHADES®

Threaded Needle by Brinda, Corporation

www.LockdownDoorShades.com • LockdownDoorShades@gmail.com • 954.347.5954

INSTRUCTIONS FOR MEASURING OBSERVATION WINDOWS



Select one:

- Metal door (magnetic) finished shade length = *2" TOP + A + 2" for bottom magnets
- Wood door with metal frame (magnetic) finished shade length = *2" TOP + A (magnets will attach to the frame)
- Wood door, hoop and loop bottom (no metal) = *2" TOP + A + 2" hook and loop bottom

*Top 2" above the window frame outside dimensions (OD) for shade mounting

A = Measure the length from the top of the window frame outside dimensions (OD) to the bottom of the window frame OD = _____"

B = Measure width of window frame outside dimensions (OD) left to right = _____"

***NOTE:** A minimum of 2" is required to attach the shade to the door surface. If the door closure body is directly above the window frame the adhesive hook/loop strip can be attached to the window frame if space is permitting.

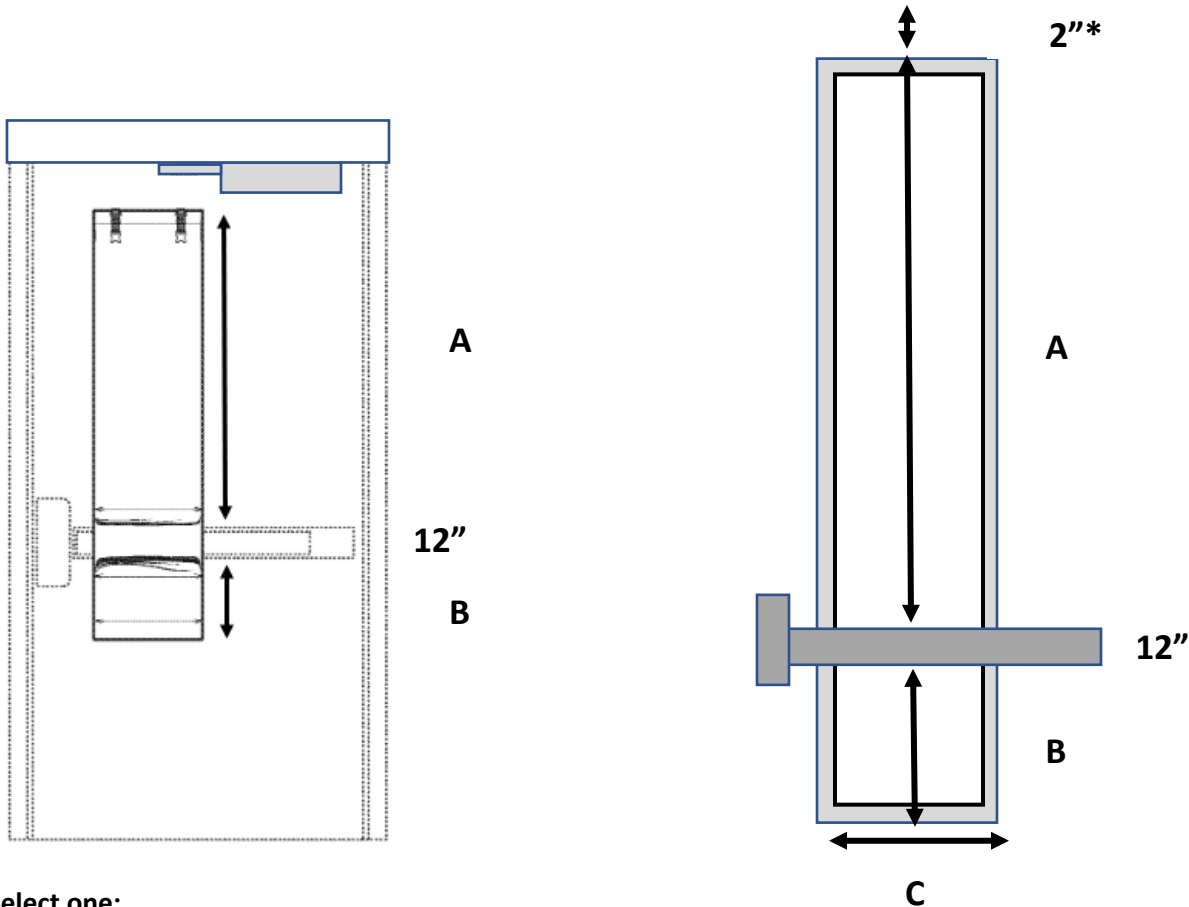


LOCKDOWN DOOR SHADES®

Threaded Needle by Brinda, Corporation

www.LockdownDoorShades.com • LockdownDoorShades@gmail.com • 954.347.5954

INSTRUCTIONS FOR MEASURING OBSERVATION WINDOWS WITH PANIC HARDWARE



Select one:

- Metal door (magnetic)
- Wood door with metal frame (magnetic)

***Top 2" above the window frame outside dimensions (OD) for shade mounting**

A = Measure from the top of the window frame outside dimensions (OD) to the top of the panic hardware = _____"

Twelve inches will be added to the panic hardware (width x height x width) = 12"

B= Measure from the bottom of the panic hardware to the bottom of the window frame outside dimensions (OD) = _____"

C = Measure width of window frame outside dimensions (OD) left to right = _____"

***NOTE: A minimum of 2" is required to attach the shade to the door surface. If the door closure body is directly above the window frame the adhesive hook/loop strip can be attached to the window frame if space is permitting.**

Rev. 04012019